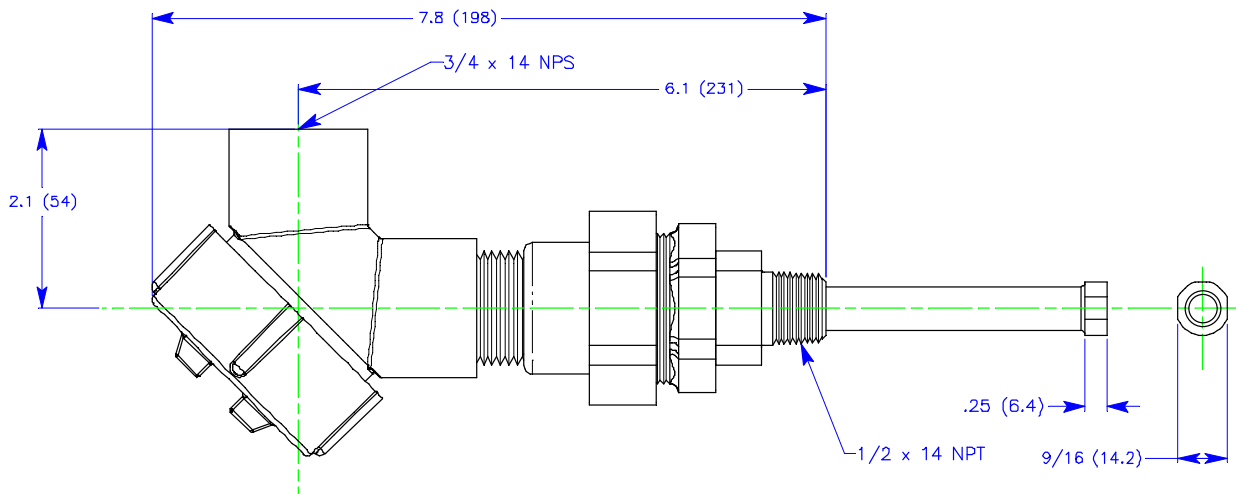
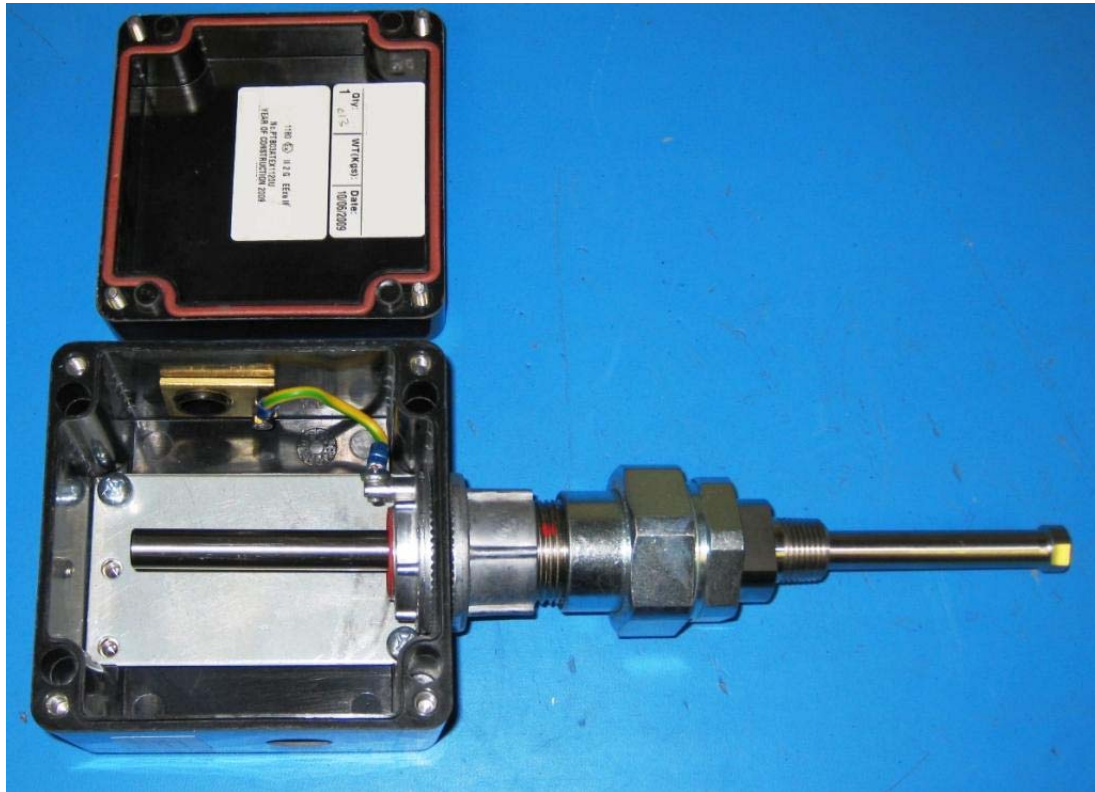


#20609

High pressure, proximity probe holder
For gas compression



Tested to 1800 psig.



IEC Type Enclosure

2 x M20 entries for "through wiring" in X/Y bearing arrangements

ATEX IIG Eex "e/ia" , IP64

Features

- High pressure, tested to 1800 psig (125 BAR). Test video available.
- 1 piece, centerless ground, sleeve with anti-blow out collar.
- Precision O-ring seals throughout.
- Micro adjustable probe gap in “hot” process conditions.
- Minimal installation clearance for probe.
- Precision, screw type probe height adjustment; allows adjustment under pressure.
- Connector head rotates 360°.
- 12” (305mm) & 18” (458mm) sleeves available.
- IEC type, Eex “e/ia” glass reinforced polyester terminal box for ATEX IIG (when fitted with the appropriate apparatus) applications. 2 x M20 entries; one plugged.

Specifications

- Process connection: ½ NPT male. Forged adapter bushing available for ¾ NPT and 1 NPT applications.
- Configured for 3/8 x 24UNF back mount proximity probe.
- Electrical entry: 1 NPS / ¾ NPS, includes reducer bushing.
- NEC. Electrical rating: Suitable for Class 1, Div. 1, Groups C & D, Class 2, Div. 1 Groups E, F, G, Class 3.
- IEC. Electrical rating: Suitable for Zone 1, 2, 21, 22.
- Wetted materials: 303 stainless steel, passivated.
- O-rings: Viton (Fluoroelastomer).
- Temperature rating: 32-300°F (0-150°C). O-ring & probe limited. Consult for different temperatures/gases.
- Environmental rating: NEMA3R (IP64) when mounted within 45° of upright.
- Sleeve insertion with 12 inch sleeve: ¼ inch (6.4mm) minimum, 7.8 inch (198mm) maximum. Can be cut to required length.
- Sleeves:
 - 1/8 NPT with collar, for Bently Nevada ® high pressure probes x 12 inch (305mm). 9/16th wrench flats on collar.
 - 3/8-24UNF with collar x 12 inch (305mm). 9/16th wrench flats on collar.
 - 3/8-24UNF without collar x 18 inch (458mm).
 - 10mm x 1.0 without collar x 17 inch (432mm).
 - Custom capability.

20609 PROBE HOLDER PRICE LIST for proximity probes**UL/CSA/NEC Class 1, Div.1 , Group C-D conduit**

Part number	Price	Notes
20609-NEC-2	\$ 495.00	Probe holder with NEC conduit, <u>3/8-24UNF</u> x 12 inch sleeve for 3300 & 7200 type probes, <u>with anti-blowout collar</u> , viton seals
20609-NEC-4	\$ 495.00	Probe holder with NEC conduit, <u>1/8NPT</u> x 12 inch sleeve for Bently Nevada high pressure type probes, <u>with anti-blowout collar</u> , viton seals
20609-NEC-6	\$ 495.00	Probe holder with NEC conduit, <u>3/8-24UNF</u> x 18 inch sleeve for 3300 & 7200 type probes, <u>no collar</u> , viton seals
20609-NEC-8	\$ 495.00	Probe holder with NEC conduit, <u>10 x 1.0mm</u> x 17 inch sleeve for 3300 & 7200 type probes, <u>no collar</u> , viton seals

IEC terminal box, Zone 1, Zone 2

Part number	Price	Notes
20609-IEC-2	\$ 640.00	Probe holder with IEC Terminal box, <u>3/8-24UNF</u> x 12 inch sleeve for 3300 & 7200 type probes, <u>with anti-blowout collar</u> , viton seals
20609-IEC-4	\$ 640.00	Probe holder with IEC Terminal box, <u>1/8NPT</u> x 12 inch sleeve for Bently Nevada high pressure type probes, <u>with anti-blowout collar</u> , viton seals
20609-IEC-6	\$ 640.00	Probe holder with IEC Terminal box, <u>3/8-24UNF</u> x 18 inch sleeve for 3300 & 7200 type probes, <u>no collar</u> , viton seals
20609-IEC-8	\$ 640.00	Probe holder with IEC Terminal box, <u>10 x 1.0mm</u> x 17 inch sleeve for 3300 & 7200 type probes, <u>no collar</u> , viton seals

Accessories

Part number	Price	Notes
20609-20	\$ 8.00	Replacement O ring seal kit, Viton.
20609-30	\$ 150.00	Replacement <u>3/8-24UNF</u> x 12 inch sleeve for 3300 & 7200 type probes, <u>with anti-blowout collar</u> , with compression ferrule
20609-40	\$ 150.00	Replacement <u>1/8NPT</u> x 12 inch sleeve for Bently Nevada high pressure type probes, <u>with anti-blowout collar</u> , with compression ferrule
20609-50	\$ 150.00	Replacement <u>3/8-24UNF</u> x 18 inch sleeve for 3300 & 7200 type probes, <u>no collar</u> , with compression ferrule
20609-60	\$ 150.00	Replacement <u>10 x 1.0mm</u> x 17 inch sleeve for 3300 & 7200 type probes, <u>no collar</u> , with compression ferrule
20609-70	\$ 12.00	3/4NPT external thread, forged stainless steel adapter for all probe holders